

Cuisinart® INSTRUCTION & RECIPE BOOKLET



2-Slice Belgian Waffle Iron

WAF-2B

For your safety and continued enjoyment of this product, always read the instruction book carefully before using.

IMPORTANT SAFEGUARDS

When using an electrical appliance, basic safety precautions should always be followed, including the following:

1. **READ ALL INSTRUCTIONS.**
2. Do not touch hot surfaces. Use handles and knobs.
3. To protect against fire, electrical shock, and injury to persons, **DO NOT IMMERS**E CORD, PLUG, OR UNIT in water or other liquids.
4. Close supervision is necessary when any appliance is used by or near children.
5. Unplug from outlet when not in use and before cleaning. Allow to cool before putting on or taking off parts, and before cleaning appliance.
6. Do not operate any appliance with a damaged cord or plug or after the appliance malfunctions or has been damaged in any manner. Return appliance to the nearest Cuisinart Authorized Service Facility for examination, repair, or adjustment.
7. The use of accessory attachments not recommended by Cuisinart may result in fire, electrical shock, or injury to persons.
8. Do not use outdoors.
9. Do not let power cord hang over edge of table or counter, or touch hot surfaces.
10. Do not place on or near a hot gas or electric burner, or in a heated oven.
11. Unplug the unit when finished baking waffles.
12. Do not use appliance for other than intended use.
13. Always attach plug to appliance first, then plug cord into the wall outlet. To disconnect, turn control dial to OFF setting, then remove plug from the outlet.
14. Extreme caution must be used when moving an appliance containing hot oil or other hot liquids.
15. **WARNING: TO REDUCE THE RISK OF FIRE OR ELECTRIC SHOCK, REPAIR SHOULD BE DONE ONLY BY AUTHORIZED PERSONNEL. NO USER SERVICEABLE PARTS ARE INSIDE.**

SAVE THESE INSTRUCTIONS FOR HOUSEHOLD USE ONLY

SPECIAL CORD SET INSTRUCTIONS

A short power-supply cord is provided to reduce the risks resulting from becoming entangled in or tripping over a longer cord.

Longer extension cords are available and may be used if care is exercised in their use.

If a long extension cord is used, the marked electrical rating of the extension cord should be at least as great as the electrical rating of the appliance, and the longer cord should be arranged so that it will not drape over the countertop or tabletop where it can be pulled on by children or animals, or tripped over.

NOTICE:

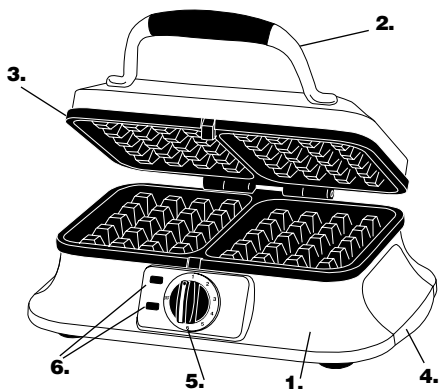
This appliance has a polarized plug (one blade is wider than the other). To reduce the risk of electric shock, this plug will fit in a polarized outlet only one way. If the plug does not fit fully in the outlet, reverse the plug. If it still does not fit, contact a qualified electrician. Do not modify the plug in any way.

CONTENTS

| | |
|----------------------------------|----|
| Important Safeguards | 2 |
| Introduction | 3 |
| Parts and Features | 3 |
| Before First Use | 3 |
| Operating Instructions | 3 |
| Cleaning and Care | 4 |
| Storage | 4 |
| Tips | 4 |
| Recipes | 5 |
| Warranty | 11 |

INTRODUCTION

Get ready to enjoy the most delicious waffles you've ever made with the Cuisinart® 2-slice Belgian Waffle Iron. The six shade settings and regulating thermostat combined with the nonstick plates, indicator lights, "ready" tone and stay-cool pick-up panels make operation easy and waffles consistently perfect. The deep pockets hold more than just butter and syrup – load them up with the topping you like best for even more of a good thing. Try savory waffles as the perfect complement to chili or soup, or add a new twist to this perennial breakfast favorite. Either way, you'll be delighted with the results.



PARTS AND FEATURES

1. **Housing** – Elegant brushed stainless steel cover and base with embossed Cuisinart® logo.
2. **Lid Handle** – Polished die-cast handle with cool touch grip. Locks down for baking and storing.
3. **Baking Plates** – Die-cast aluminum plates bake two deep-pocket Belgian waffles.
4. **Base Handles** – Cool-touch plastic will not become hot while baking.
5. **Control Dial** – Six adjustable browning settings and OFF position.
6. **Indicator Lights** – Red indicator light signals power on; green indicator light signals when waffle iron is ready to bake and when waffles are cooked and ready to eat.
7. **Audible Signal (not shown)** – Signals when waffle iron is ready to bake and waffles are cooked and ready to eat.

8. **Storage (not shown)** – Cord wraps under base and unit stands on back end for storing.
9. **Rubber Feet (not shown)** – Feet keep unit steady and won't mark countertop.

BEFORE THE FIRST USE

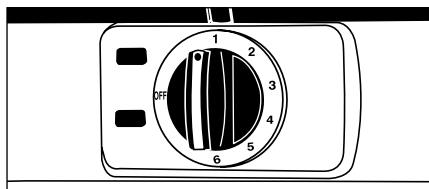
Remove all packaging and any promotional labels or stickers from your waffle iron. Be sure that all parts (listed above, **Parts and Features**) of your new waffle iron have been included before discarding any packaging materials. You may want to keep the box and packing materials for use at a later date.

Before using your Cuisinart® 2-Slice Belgian Waffle Iron for the first time, wipe housing and waffle plates with a damp cloth to remove any dust from the warehouse or shipping.

Note: The Cuisinart® 2-Slice Belgian Waffle Iron has been treated with a special nonstick coating. Before the first use, we suggest you season the grids with cooking spray or flavorless vegetable oil. If using oil, apply oil with a paper towel or pastry brush. You may find it helpful to repeat this process before each use of the waffle iron.

OPERATING INSTRUCTIONS

1. Place the closed waffle iron on a clean, flat surface where you intend to bake.
2. Plug the power cord in a standard electrical outlet.
3. Turn the control dial clockwise from the OFF position to the desired browning setting –

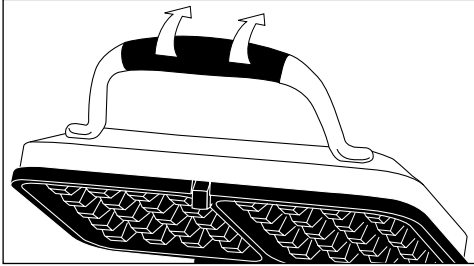


setting #1 for the lightest color waffles and setting #6 for the darkest color waffles.

The red indicator light will turn on to signal power. Allow the waffle iron to preheat. When the waffle iron has reached desired temperature, the green indicator light will turn on and the audible tone will sound. You are now ready to begin baking.

Note: The first time you use your waffle iron it may have a slight odor and may smoke

a bit. This is normal, and common to appliances with a nonstick surface.



4. Lift lid of waffle iron by grasping the handle and pushing back and up in one fluid motion. Lid will stay open at 105° position until you lower it.
5. Pour batter onto the center of the lower waffle grid. Use a heat-proof spatula to spread batter evenly over the grids. Close the lid. The waffle iron will automatically latch shut when you lower the lid. The green light will turn off but the red light will stay illuminated.
6. Baking time is determined by the browning level that you chose in Step 3. It may take up to 4 minutes to bake your waffle on setting #6.
7. When the waffle is ready, the green light will turn on and the audible tone will sound. Remove the waffle by gently loosening the edges with a heat-proof plastic spatula or wooden spatula. Never use metal utensils, as they will damage the nonstick coating.
8. When you are finished baking, turn the control dial counterclockwise to the OFF setting. The red indicator light will turn off. Unplug the power cord from the wall outlet. Allow the waffle iron to cool down completely before handling.

CLEANING AND CARE

Once you have finished baking, turn the control dial to the OFF position and remove plug from electrical outlet. Leave top lid open so grids begin to cool. Allow waffle iron to cool down completely before handling.

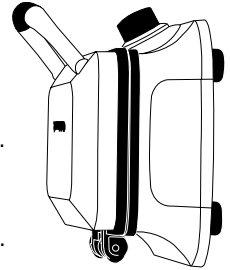
Never take your waffle iron apart for cleaning. Simply brush crumbs from grooves, and absorb any excess cooking oil by wiping with a dry cloth or paper towel.

You may clean the grids by wiping with a damp cloth to prevent staining and sticking from batter or oil buildup. **Be certain grids have cooled completely before cleaning.** If batter adheres to plates, simply pour a little cooking oil onto the baked batter and let stand approximately 5 minutes, thus allowing it to soften for easy removal.

To clean exterior, wipe with a soft dry cloth. Never use an abrasive cleanser or harsh pad. **NEVER IMMERSE CORD, PLUG OR UNIT IN WATER OR OTHER LIQUID.**

STORAGE

Store with cord wrapped securely under base. For compact storage, stand waffle iron on back end with control panel facing up. The waffle iron has been designed with a special latching feature so the lid stays closed during storage.



TIPS TO MAKE PERFECT WAFFLES

- Setting #1 will produce the lightest color waffles. Setting #6 will produce the darkest color waffles. Experiment to determine which setting produces the best waffle color for you.
- For evenly filled waffles, pour the batter onto the center of the lower grid and spread out evenly to the edges. The entire lower grid should be filled.
- We recommend using $\frac{3}{4}$ cup of batter to fill lower grid.
- Waffles are best when made to order, but baked waffles may be kept warm in a 200°F oven. Place them in a baking pan or wrap in foil while in the oven. (Waffles wrapped in foil may lose their crispiness.)
- Baked waffles may be frozen. Allow to cool completely, then place in plastic food storage bag. Use waxed paper to keep waffles separated. Reheat in a toaster or toaster oven when ready to eat.
- For added flavor dress your waffles with fruit syrups, warm fruit compote, fresh berries, chopped fruit or yogurt.
- For sweeter waffles, add powdered sugar, whipped cream, ice cream or chocolate sauce.

RECIPES

Basic Waffles

Fresh, homemade waffles make breakfast a special occasion. Freeze the extras to use when time is scarce.

Makes 12 waffles

- 2¼ cups all-purpose flour**
- 2½ tablespoons granulated sugar**
- 1 tablespoon baking powder**
- ½ teaspoon baking soda**
- ½ teaspoon salt**
- 1¼ cups lowfat milk**
- 6 tablespoons vegetable oil**
- 2 large eggs**

Place ingredients in a large mixing bowl and combine until well blended and smooth. Let batter rest 5 minutes before using. Preheat your Cuisinart® Waffle Iron.

When the iron is ready, the audible signal will sound and green indicator light will illuminate. Pour ¾ cup batter onto the center of lower grid; spread batter using a heatproof spatula to within ½ inch of the edge of the grid. Close lid of waffle iron – green indicator light will turn off. When audible signal sounds and green indicator light turns on again, waffle is ready. Open lid and carefully remove baked waffle. Repeat with remaining batter.

Nutritional information per waffle:

*Calories 174 (44% from fat) • carb. 20g • pro. 4g
• fat 9g • sat. fat 1g • chol. 38mg • sod. 248mg
• calc. 118mg • fiber 1g*

Light and Crispy Buttermilk Waffles

Whipping the egg whites makes these waffles extra-light and crispy.

Makes 10 waffles

- 2 cups unbleached, all-purpose flour**
- 3 tablespoons granulated sugar, divided**
- 2 teaspoons baking powder**
- 1 teaspoon baking soda**
- ½ teaspoon salt**

- 1¼ cups buttermilk**
- 6 tablespoons unsalted butter, melted**
- 1 teaspoon pure vanilla extract**
- 2 large eggs, separated**

Place flour, 1½ tablespoons of sugar, baking powder, baking soda, and salt in a mixing bowl and stir to combine. In a separate bowl, whisk together buttermilk, melted butter, vanilla, and egg yolks until smooth. Stir into dry ingredients until well blended and smooth. Preheat your Cuisinart® Waffle Iron.

Using an electric mixer, whip egg whites until frothy. Add remaining sugar and continue to whip until firm, but not dry, peaks form. Carefully fold whites into batter in two additions, using a large rubber spatula, until the whites and batter are completely incorporated.

When iron is ready, the audible signal will sound and green indicator light will illuminate. Pour ¾ cup batter in the center of lower grid; spread batter using a heatproof spatula to within ½ inch of the edge of the grid. Close lid of waffle iron – green indicator light will turn off. When audible signal sounds and green indicator light turns on again, waffle is ready. Open lid and carefully remove baked waffle. Repeat with remaining batter.

Nutritional information per waffle:

*Calories 172 (38% from fat) • carb. 22g • pro. 5g
• fat 7g • sat. fat 4g • chol. 52mg • sod. 310mg
• calc. 63mg • fiber 1g*

Sweet Belgian Yeast Waffles

These waffles bake with crispy exteriors and light, fluffy interiors.

Makes 12 waffles

- 1½ teaspoons active dry yeast**
- ¼ cup warm water (105°-110°)**
- ½ cup unsalted butter**
- 2 cups warm lowfat milk**
- 2 cups unbleached, all-purpose flour**
- ¾ cup cornstarch**
- 2 eggs, separated**
- ½ cup granulated sugar, divided**
- ½ teaspoon salt**
- 1 teaspoon pure vanilla extract**

Stir yeast and sugar into warm water in a small bowl; let stand until foamy, about 3 to 5 minutes. Warm butter and milk together in a small saucepan over low heat so that the butter melts but the milk does not exceed 110° (if temperature is over 110°F, allow to cool to 105–110° before continuing). Set butter and milk mixture aside. Place the flour and cornstarch in a separate bowl and stir; reserve.

In a large bowl, whisk together the egg yolks, milk and butter mixture, yeast mixture, $\frac{1}{4}$ cup of the sugar, salt, and vanilla. Stir in the milk and flour/cornstarch mixture alternately, ending with the flour. Cover with plastic wrap. Let stand until mixture is doubled in volume, about an hour. Preheat your Cuisinart® Waffle Iron.

Whip egg whites until frothy, and then add remaining tablespoon of sugar. Continue to whip until firm peaks form. Gently fold whites into waffle batter using a large rubber spatula.

When the iron is ready, the audible signal will sound and green indicator light will illuminate. Pour $\frac{3}{4}$ cup batter onto the center of lower grid; spread batter using a heatproof spatula to within $\frac{1}{2}$ inch of the edge of the grid. Close lid of waffle iron – green indicator light will turn off. When audible signal sounds and green indicator light turns on again, waffle is ready. Open lid and carefully remove baked waffle. Repeat with remaining batter.

Nutritional information per waffle:

*Calories 228 (38% from fat) • carb. 30g • pro. 5g
• fat 10g • sat. fat 6g • chol. 59mg • sod. 135mg
• calc. 69mg • fiber 1g*

Chocolate Brownie Waffles

A great brunch or dessert waffle.

Makes 8 waffles

- 1** cup all-purpose flour
- 6** tablespoons granulated sugar
- $\frac{1}{2}$ cup unsweetened cocoa powder
- 1½** teaspoons baking powder
- $\frac{1}{4}$ teaspoon baking soda
- $\frac{1}{4}$ teaspoon salt
- $\frac{1}{4}$ teaspoon cinnamon
- 1** cup lowfat milk
- 1** large egg, lightly beaten
- $\frac{1}{2}$ teaspoon pure vanilla extract

- 4** tablespoons unsalted butter, melted, cooled slightly
- $\frac{1}{2}$ cup semisweet mini chocolate morsels
- $\frac{1}{2}$ cup (1 ounce) finely chopped walnuts or pecans

Place the flour, sugar, cocoa powder, baking powder, baking soda, salt, and cinnamon in a medium bowl; stir with a whisk to blend. Add the milk, egg and vanilla. Stir with a whisk until well blended and smooth. Stir in melted butter. Let batter stand 5 minutes. Preheat Cuisinart® Waffle Iron.

When the iron ready, the audible signal will sound and green indicator light will illuminate. Stir chocolate morsels and chopped walnuts/pecans into batter. Pour $\frac{3}{4}$ cup batter onto center of lower grid; spread the batter using a heatproof spatula to within $\frac{1}{2}$ inch of the edge of the grid. Close lid of waffle iron – green indicator light will turn off. When audible signal sounds and green indicator light turns on again, waffle is ready. Remove waffle using a heatproof plastic spatula. Repeat with remaining batter.

Nutritional information per waffle:

*Calories 237 (45% from fat) • carb. 30g • pro. 5g
• fat 12g • sat. fat 6g • chol. 44mg • sod. 176mg
• calc. 55mg • fiber 2g*

Cinnamon Waffles

Top these tasty waffles with warm maple syrup and fresh fruit.

Makes 12 waffles

- 2** tablespoons packed light brown sugar
- 2** cups all-purpose flour
- 1** tablespoon baking powder
- $\frac{1}{2}$ teaspoon baking soda
- 1½** teaspoons ground cinnamon
- $\frac{1}{2}$ teaspoon salt
- 1¾** cups lowfat milk
- 6** tablespoons vegetable oil
- 2** large eggs, lightly beaten

Crumble the brown sugar to remove all lumps and place in a medium mixing bowl with the flour, baking powder, baking soda, cinnamon, and salt. Add the milk, oil and eggs; stir until blended and smooth. Let batter rest 5 minutes before using. Preheat your Cuisinart® Waffle Iron.

When iron is ready, the audible signal will sound and green indicator light will illuminate. Pour $\frac{3}{4}$ cup batter onto the center of lower grid; spread batter using a heatproof spatula to within $\frac{1}{2}$ inch of the edge of the grid. Close lid of waffle iron – green indicator light will turn off. When audible signal sounds and green indicator light turns on again, waffle is ready. Open lid and carefully remove baked waffle. Repeat with remaining batter.

Nutritional information per waffle:
Calories 236 (55% from fat) • carb. 22g • pro. 5g
• fat. 15g • sat. fat 2g • chol. 38mg • sod. 230mg
• calc. 59 mg • fiber 1g

Banana Nut Waffles

Classic waffle for a weekend brunch – top with warm syrup and sliced fresh bananas.

Makes 12 waffles

- 2 cups unbleached flour**
- 2 tablespoons granulated sugar**
- 2 teaspoons baking powder**
- 1 teaspoon baking soda**
- $\frac{1}{2}$ teaspoon salt**
- 2 eggs, lightly beaten**
- 6 tablespoons vegetable oil**
- 1 cup lowfat plain yogurt**
- $\frac{3}{4}$ cup lowfat milk**
- 1 cup mashed banana**
- $\frac{3}{4}$ cup chopped walnuts or pecans, may be toasted first**

Combine flour, sugar, baking powder, baking soda, and salt in a mixing bowl and stir to combine. In a separate bowl whisk together the eggs and oil and stir into dry ingredients. Stir in yogurt. Add milk and stir until mixture is a smooth batter. Stir in banana and walnuts until incorporated. Let batter rest 5 minutes before using. Preheat your Cuisinart® Waffle Iron.

When iron is ready, the audible signal will sound and green indicator light will illuminate. Pour $\frac{3}{4}$ cup of batter onto the center of lower grid; spread batter using a heatproof spatula to within $\frac{1}{2}$ inch of the edge of the grid. Close lid of waffle iron – green indicator light will turn off. When audible signal sounds and green indicator light turns on again, waffle is ready. Open lid and carefully remove baked waffle. Repeat with remaining batter.

Nutritional information per waffle:
Calories 297 (48% from fat) • carb. 33g • pro. 7g
• fat 16g • sat. fat 2g • chol. 46mg • sod. 374mg
• calc. 97mg • fiber 1g

Pumpkin Walnut Waffles

For a change, you may substitute dried cranberries, raisins or even mini chocolate morsels for the walnuts.

Makes 14 waffles

- $1\frac{3}{4}$ cups lowfat milk**
- $\frac{3}{4}$ cup solid pack pumpkin (not pumpkin pie filling)***
- $\frac{1}{2}$ cup vegetable oil**
- 2 large eggs, lightly beaten**
- $2\frac{1}{2}$ cups all-purpose flour**
- $\frac{1}{4}$ cup packed light brown sugar**
- 4 teaspoons baking powder**
- $\frac{1}{2}$ teaspoon baking soda**
- 1 teaspoon ground cinnamon**
- $\frac{1}{4}$ teaspoon salt**
- $\frac{3}{4}$ cup chopped walnuts**

Place the milk, pumpkin, oil, and eggs in a bowl. Stir to blend; reserve. Place the flour in a large bowl. Crumble the brown sugar to remove the lumps; add to the flour along with the baking powder, baking soda, cinnamon, and salt. Stir to blend. Add the liquid ingredients and whisk until smooth. Let batter rest 5 minutes before using. Preheat your Cuisinart® Waffle Iron.

When iron is ready, the audible signal will sound and green indicator light will illuminate. Stir walnuts into batter. Pour $\frac{3}{4}$ cup batter onto the center of lower grid; spread batter using a heatproof spatula to within $\frac{1}{2}$ inch of the edge of the grid. Close lid of waffle iron – green indicator light will turn off. When audible signal sounds and green indicator light turns on again, waffle is ready. Open lid and carefully remove baked waffle. Repeat with remaining batter.

*This is a little less than $\frac{1}{2}$ of a 15-ounce can. Measure out $\frac{3}{4}$ cup of the remaining pumpkin to freeze to make these at another time.

Nutritional information per waffle:
Calories 230 (51% from fat) • carb. 23g • pro. 6g
• fat 13g • sat. fat 2g • chol 38mg • sod. 208 mg
• calc. 64 mg • fiber 2g

Lemon Waffles

These waffles are a fresh change – if you want, add blueberries for Lemon Blueberry Waffles.

Makes 12 waffles

- 1** cup unbleached flour
- $\frac{1}{2}$ cup cornstarch
- 2** tablespoons granulated sugar
- $\frac{1}{2}$ tablespoon baking powder
- $\frac{1}{2}$ teaspoon baking soda
- $\frac{1}{2}$ teaspoon salt
- 2** large eggs
- $\frac{3}{4}$ cup lowfat milk
- 1** teaspoon pure vanilla extract
- $\frac{1}{4}$ cup fresh lemon juice
- 2** tablespoons lemon zest
- 6** tablespoons unsalted butter, melted
- $\frac{1}{2}$ cup plain lowfat yogurt

Place flour, cornstarch, sugar, baking powder, baking soda, and salt in mixing bowl and stir to combine. In a second bowl, whisk eggs, milk, and vanilla until blended. Stir wet mixture into dry ingredients. Stir in lemon juice and zest. Fold in melted butter and then vanilla yogurt with a rubber spatula or wooden spoon. Let batter rest a few minutes before using. Preheat your Cuisinart® Waffle Iron.

When iron is ready, the audible signal will sound and green indicator light will illuminate. Pour a scant $\frac{3}{4}$ cup of batter onto the center of lower grid; spread batter using a heatproof spatula to within $\frac{1}{2}$ inch of the edge of the grid. Close lid of waffle iron – green indicator light will turn off. When audible signal sounds and green indicator light turns on again, waffle is ready. Open lid and carefully remove baked waffle. Repeat with remaining batter.

Variations: For lemon ginger waffles add 1 tablespoon of grated fresh ginger to the batter with the juice and zest. For lemon blueberry waffles stir 1 cup of blueberries into the batter after mixing.

Nutritional information per waffle:

*Calories 147 (43% from fat) • carb. 18g • pro. 3g
• fat. 7g • sat. fat 4g • chol. 52 mg • sod. 220mg
• calc. 54mg • fiber 1g*

Super Multigrain Blueberry Waffles

High in protein, these crispy waffles have a nice texture and pleasant flavor – you would never know they are also good for you.

Makes 10 waffles

- 1** cup whole wheat flour
- $\frac{1}{2}$ cup unbleached flour
- $\frac{1}{2}$ cup old-fashioned oats
- 1** teaspoon baking powder
- 1** teaspoon baking soda
- $\frac{1}{2}$ teaspoon salt
- 2** eggs, lightly beaten
- 1** cup soy milk
- 2** tablespoons pure maple syrup
- 1** teaspoon pure vanilla extract
- 6** tablespoons unsalted butter, melted
- 2** tablespoons flaxseed oil
- 1** cup lowfat yogurt
- $\frac{1}{2}$ cup blueberries, fresh, frozen, or dried
- $\frac{1}{2}$ cup pecans or walnuts, finely chopped

Place whole wheat flour, unbleached flour, oats, baking powder, baking soda, and salt in mixing bowl and stir to combine. In a separate bowl stir together eggs, soy milk, syrup, and vanilla and add to the dry ingredients. Stir in butter, flaxseed oil, and yogurt. Finally stir blueberries and chopped nuts into batter. Let batter rest 5 minutes before using. Preheat your Cuisinart® Waffle Iron.

When iron is ready, the audible signal will sound and green indicator light will illuminate. Pour $\frac{3}{4}$ cup of batter onto the center of lower grid; spread batter using a heatproof spatula to within $\frac{1}{2}$ inch of the edge of the grid. Close lid of waffle iron – green indicator light will turn off. When audible signal sounds and green indicator light turns on again, waffle is ready. Open lid and carefully remove baked waffle. Repeat with remaining batter.

Nutritional information per waffle:

*Calories 169 (32% from fat) • carb. 22g • pro. 7g
• fat 6g • sat. fat 1g • chol. 43mg • sod. 292mg
• calc. 75mg • fiber 2g*

Sweet Biscuit Waffles

A variation of a centuries-old classic waffle from Belgium.

Makes 12 waffles

- 2–3 ounces sweet biscuits, such as arrowroot cookies**
- 2½ cups lowfat milk**
- ¼ cup unsalted butter**
- 2 cups unbleached, all-purpose flour**
- ½ tablespoon baking powder**
- ½ teaspoon baking soda**
- 2 tablespoons granulated sugar**
- ½ teaspoon salt**
- 2 large eggs, separated**

Place biscuits in a large mixing bowl. Place milk and butter in a small saucepan over medium low and heat until butter is melted. Pour warm milk and butter over biscuits and stir until they are dissolved, about 1 minute. If the mixture still appears very thick add another ½ cup of milk so that the mixture whisks easily. To the milk mixture, whisk in flour, baking powder, baking soda, sugar, salt, and egg yolks until mixture is well blended and smooth. Preheat your Cuisinart® Waffle Iron.

Whip egg whites to firm, but not dry, peaks using an electric mixer. Carefully fold whites into batter in two additions, using a large rubber spatula, until the whites and batter are completely incorporated.

When iron is ready, the audible signal will sound and green indicator light will illuminate. Pour ¾ cup batter on the center of lower grid; spread batter using a heatproof spatula to within ½ inch of the edge of the grid. Close lid of waffle iron – green indicator light will turn off. When audible signal sounds and green indicator light turns on again, waffle is ready. Open lid and carefully remove baked waffle. Repeat with remaining batter.

Nutritional information per waffle:
Calories 197 (31% from fat) • carb. 28g • pro. 6g
• fat 7g • sat. fat 4g • chol. 57mg • sod. 2273mg
• calc. 82mg • fiber 1g

Chocolate Chip Graham Cracker Cookie Waffles

A sweet treat for breakfast, or top with vanilla ice cream for a comfort food dessert.

Makes 12 waffles

- 2 tablespoons packed brown sugar**
- 1½ cups all-purpose flour**
- ¾ cup graham cracker crumbs**
- 1 tablespoon baking powder**
- ¼ teaspoon baking soda**
- ½ teaspoon cinnamon**
- ½ teaspoon salt**
- 1½ cups lowfat milk**
- 2 large eggs, separated**
- 6 tablespoons unsalted butter, melted and cooled slightly**
- 1 teaspoon pure vanilla extract**
- ¾ cup mini chocolate morsels**
- ½ cup finely chopped nuts (walnuts, pecans, almonds or hazelnuts)**

Crumble brown sugar into a large mixing bowl. Add flour, graham cracker crumbs, baking powder, baking soda, cinnamon, and salt. Stir and reserve. Combine milk and egg yolks, stir until smooth. Stir in melted butter and vanilla; reserve.

Whip egg whites until stiff peaks form. Add milk mixture to dry mixture and stir until smooth. Fold in chocolate morsels and nuts. Stir ¼ of the whipped egg whites gently into the batter to lighten. Fold in remaining egg whites gently, taking care not to deflate. Let batter rest 5 minutes before using. Preheat your Cuisinart® Waffle Iron.

When iron is ready, the audible signal will sound and green indicator light will illuminate. Pour ¾ cup batter onto the center of lower grid; spread batter using a heatproof spatula to within ½ inch of the edge of the grid. Close lid of waffle iron – green indicator light will turn red. When audible signal sounds and indicator light turns green again, waffle is ready. Open lid and carefully remove baked waffle. Repeat with remaining batter.

Nutritional information per waffle:
Calories 254 (48% from fat) • carb. 28g • pro. 4g
• fat 14g • sat. fat 6g • chol. 53mg • sod. 238mg
• calc. 64mg • fiber 32g

Savory Cheddar Chive Cornmeal Waffles

These crispy, savory waffles are good to serve with soups or your favorite chili in place of corn muffins. You may also try them with scrambled eggs and bacon for brunch or supper.

Makes 10 waffles

- 1¼ cups all-purpose flour**
- 1 cup cornmeal (yellow or white)**
- 1 tablespoon granulated sugar**
- 1 tablespoon baking powder**
- ½ teaspoon baking soda**
- ¼ teaspoon salt**
- 3 ounces shredded sharp Cheddar cheese (about ¾ cup)**
- 2 tablespoons chopped fresh chives**
- 1¼ cups lowfat milk**
- 6 tablespoons vegetable oil**
- 2 large eggs**
- 3–5 dashes hot sauce, such as *Tabasco®**

Place flour, cornmeal, sugar, baking powder, baking soda, and salt in a large mixing bowl; stir to combine. Add shredded Cheddar and chopped chives; stir. Place the milk, oil, eggs, and hot sauce in a separate bowl; stir with a whisk to blend. Add to the dry ingredients and stir until smooth. Let batter rest 5 minutes before using. Preheat your Cuisinart® Waffle Iron.

When iron is ready, the audible signal will sound and green indicator light will illuminate. Pour ¾ cup batter onto the center of lower grid; spread batter using a heatproof spatula to within ½ inch of the edge of the grid. Close lid of waffle iron – green indicator light will turn off. When audible signal sounds and green indicator light turns on again, waffle is ready. Open lid and carefully remove baked waffle. Repeat with remaining batter.

Nutritional information per waffle:
Calories 239 (45% from fat) • carb. 25g • pro. 8g
• fat 12g • sat. fat 2g • chol. 50mg • sod. 262 mg
• calc. 121mg • fiber 1g

* Tabasco is a registered trademark owned by McIlhenny Co.

Homemade Waffle Mix

Having a batch of this mix on hand will allow you to make 4 waffles at a time to serve 2. Just keep it in your pantry and pull out when you want to prepare waffles. Prepare as much or as little of the mix as needed. Our version is much healthier than most purchased versions too, as it does not contain any hydrogenated fats or preservatives.

Makes 7 cups of mix (16 waffles)

- 5 cups unbleached all-purpose flour**
- 1 cup wheat germ (regular or honey crunch)**
- 1 cup buttermilk powder**
- 3 tablespoons granulated sugar**
- 3 tablespoons baking powder**
- 2½ teaspoons baking soda**
- 2¼ teaspoons salt**

Combine all ingredients in a large bowl. Use a whisk to combine thoroughly. Store in a resealable airtight container until ready to use.

*Nutritional information per 2 waffles
(2/3 cup mix, unprepared):*
Calories 219 (8% from fat) • carb. 40g • pro. 11g
• fat 2g • sat. fat 1g • chol. 5mg • sod. 611mg
• calc. 103 mg • fiber 3g

Just 4 Waffles

Makes 4 waffles

- ¾ cup Homemade Waffle Mix (see above)**
- ½ cup lowfat milk**
- 1 large egg, beaten until smooth (4 tablespoons) – can use liquid egg substitute or pasteurized liquid eggs**
- 1½ teaspoons vegetable oil or melted butter**

Place all the ingredients in a small bowl. Stir with a whisk until smooth. Let batter stand 5 minutes before using. Preheat your Cuisinart® Waffle Iron on.

When iron is ready, the audible signal will sound and green indicator light will illuminate. Pour batter evenly onto the center of lower grid; spread batter using a heatproof spatula to within ½ inch of the edge of the grid. Close lid of waffle iron – green indicator light will turn off. When

audible signal sounds and green indicator light turns on again, waffle is ready. Open lid and carefully remove baked waffle.

Nutritional information per waffle:
Calories 270 (17% from fat) • carb. 42g • pro. 14g
• fat 6g • sat. fat 1g • chol. 61mg • sod. 706mg
• calc. 154 mg • fiber 3g

Nutty Wheat Waffles

Wholesome wheat flavor combines with crunchy nuts for a delicious breakfast, brunch or snack. Top with warm syrup or fruit compote.

Makes 12 waffles

1½ cups all-purpose flour
½ cup whole wheat flour
2 tablespoons granulated sugar
1 tablespoon baking powder
½ teaspoon salt
2 cups lowfat milk
6 tablespoons vegetable oil
2 large eggs
¾ cup finely chopped nuts, such as pecans, walnuts, almonds or hazelnuts

Place ingredients in a large mixing bowl and combine until well blended and smooth. Let batter rest 5 minutes before using. Preheat your Cuisinart® Waffle Iron.

When iron is ready, the audible signal will sound and green indicator light will illuminate. Pour ¾ cup batter onto the center of lower grid; spread batter using a heatproof spatula to within ½ inch of the edge of the grid. Close lid of waffle iron – green indicator light will turn off. When audible signal sounds and green indicator light turns on again, waffle is ready. Open lid and carefully remove baked waffle. Repeat with remaining batter. For best results, serve immediately.

Nutritional information per waffle:
Calories 209 (50% from fat) • carb. 21g • pro. 5g
• fat 12g • sat. fat 1g • chol. 4mg • sod. 182mg
• calc. 83mg • fiber 1g

WARRANTY Limited Three-Year Warranty

This warranty is available to consumers only. You are a consumer if you own a Cuisinart® 2-Slice Belgian Waffle Iron which was purchased at retail for personal, family or household use. Except as otherwise required under applicable law, this warranty is not available to retailers or other commercial purchasers or owners.

We warrant that your Cuisinart® 2-Slice Belgian Waffle Iron will be free of defects in materials and workmanship under normal home use for 3 years from the date of original purchase.

We suggest you complete and return the enclosed product registration card promptly to facilitate verification of the date of original purchase. However, return of the product registration card does not eliminate the need for the consumer to maintain the original proof of purchase in order to obtain the warranty benefits. In the event that you do not have proof of purchase date, the purchase date for purposes of this warranty will be the date of manufacture.

If your Cuisinart® 2-Slice Belgian Waffle Iron should prove to be defective within the warranty period, we will repair or, if we think necessary, replace it. To obtain warranty service, please call our Customer Service Center toll-free at 1-800-726-0190 or write to: Cuisinart, 150 Milford Road, East Windsor, NJ 08520.

To facilitate the speed and accuracy of your return, enclose \$10.00 for shipping and handling. (California residents need only supply a proof of purchase and should call 1-800-726-0190 for shipping instructions.) Please be sure to include your return address, description of the product's defect, product serial number, and any other information pertinent to the return. Please pay by check or money order.

NOTE: For added protection and secure handling of any Cuisinart® product that is being returned, we recommend you use a traceable, insured delivery service. Cuisinart cannot be held responsible for in-transit damage or for packages that are not delivered to us. Lost and/or damaged products are not covered under warranty.

Your Cuisinart® 2-Slice Belgian Waffle Iron has been manufactured to the strictest specifications and has been designed for use only with authorized accessories and replacement parts. This warranty expressly excludes any defects or damages caused by accessories, replacement parts or repair service other than those authorized by Cuisinart.

This warranty does not cover any damage caused by accident, misuse, shipment or other than ordinary household use.

This warranty excludes all incidental or consequential damages. Some states do not allow the exclusion or limitation of these damages, so they may not apply to you.

Cuisinart®

S A V O R T H E G O O D L I F E®



Coffeemakers



Food
Processors



Toasters



Rice Cookers



Cookware



Grills

Cuisinart offers an extensive assortment of top quality products to make life in the kitchen easier than ever. Try some of our other countertop appliances and cookware, and Savor the Good Life®.

www.cuisinart.com

©2005 Cuisinart
Cuisinart® is a registered
trademark of Cuisinart

150 Milford Road
East Windsor, NJ 08520
Printed in China

04CU13507

U IB-5710

Version no.: 04CU13507 WAF2B IB-5710

SIZE: 152mm(W) x 203mm(H)
Total Pages : 12pcs

Material:
Cover: 157gsm Matt Artpaper
Inside: 120gsm Gloss Artpaper

Coating:

Color:
Cover: 4C + 1C
Inside: 1C + 1C

Date: 11/02/04

P. O.: 0411000 (11/00/2004_OP)



新成分色製版公司
Classic Graphic Arts Company

Tel: 2357 0071

Fax: 2357 0318