

Cuisinart®

INSTRUCTION AND
RECIPE BOOKLET



Cotton Candy Maker

CCM-10

For your safety and continued enjoyment of this product, always read the Instruction Book carefully before using.

IMPORTANT SAFEGUARDS

When using electrical appliances, basic safety precautions should always be taken, including the following:

1. **Read all instructions before operation.**
2. **Always unplug from outlet when not in use, and prior to handling or cleaning.**
3. DO NOT TOUCH hot surfaces; use handles or knobs.
4. Avoid coming into contact with moving parts.
5. To avoid electrical hazards, do not expose cord or plug to water.
6. Stop using the appliance if the cord or plug is damaged.
7. Keep appliance and cord away from heat.
8. To prevent electrical shock, do not immerse cord, plug or the motor base in water or other liquids.
9. Close supervision is necessary when any appliance is used by or near children or individuals with certain disabilities.
10. Do not touch the floss head when it is in operation.
11. Do not use outdoors.
12. Always turn the appliance off before assembling or cleaning.
13. Turn appliance to OFF position before disconnecting power plug from wall outlet.
14. The motor base must be placed on a level surface to work efficiently.
15. Do not use appliance for other than its intended use.
16. Do not operate any appliance with a damaged cord or plug or after the appliance has malfunctioned or has been damaged in any manner. Return appliance to the nearest authorized service facility for examination, repair, or adjustments.
17. The use of accessory attachments not recommended by the appliance manufacturer may cause injuries.
18. Do not let cord hang over edge of table or counter, or touch any hot surfaces.
19. Do not place on or near a hot gas or electric burner, or in a heated oven.
20. Extreme caution must be used when moving an appliance.
21. DO NOT leave unit unattended while in use or when plugged into an outlet.
22. Check inside heating element compartment for foreign objects before switching to ON position.
23. Heating element will become extremely hot. Avoid contact until cool.
24. Keep hands away from the machine when it is in the ON position and is spinning.
25. Clean all removable parts with a hot, wet towel before first-time use.
26. This appliance has a polarized plug (one blade is wider than the other). To reduce the risk of electric shock, this plug is intended to fit into a polarized outlet only one way. If the plug does not fit fully into the outlet, reverse the plug. If it still does not fit, contact a qualified electrician. Do not attempt to modify the plug in any way.
27. Do not operate your appliance in an appliance garage or under a wall cabinet. **When storing in an appliance garage, always unplug the unit from the electrical outlet.** Not doing so could create a risk of fire, especially if the appliance touches the walls of the garage or the door touches the unit as it closes.

SAVE THESE INSTRUCTIONS

FOR HOUSEHOLD USE ONLY

SPECIAL CORD SET INSTRUCTIONS

A short power-supply cord is provided to reduce the risks resulting from becoming entangled in or tripping over a longer cord. Extension cords may be used if care is exercised in their use.

If an extension cord is used, the marked electrical rating of the extension cord must be at least as great as the electrical rating of the appliance, and the longer cord should be arranged so that it will not drape over the countertop or table top where it can be pulled on by children or tripped over. If the appliance is of the grounded type, the extension cord should be a grounding-type 3-wire cord. This appliance is for 120 volts only and should not be used with a converter.

CONTENTS

Important Safeguards.....	2
Parts and Features	4
Assembly	4
Making A Paper Cone.....	5
Before First Use.....	6
Operating Instructions.....	6
Cleaning and Maintenance	6
Recipes	7
Troubleshooting.....	7
Warranty.....	8

ASSEMBLY

STEP 1

Insert the splash guard onto the bowl (ensure all clips on the splash guard are fully inserted into the holes on the bowl).

STEP 2

Insert the bowl and splash guard on the motor base. Make sure the bowl is pushed all the way down to meet the base, then turn clockwise to lock the bowl on the motor base.

STEP 3

Insert the floss head on the motor base; ensure the shaft of the bowl is locked by the perpendicular shaft on the motor axis.

PARTS AND FEATURES

A. Splash Guard

B. Motor Base

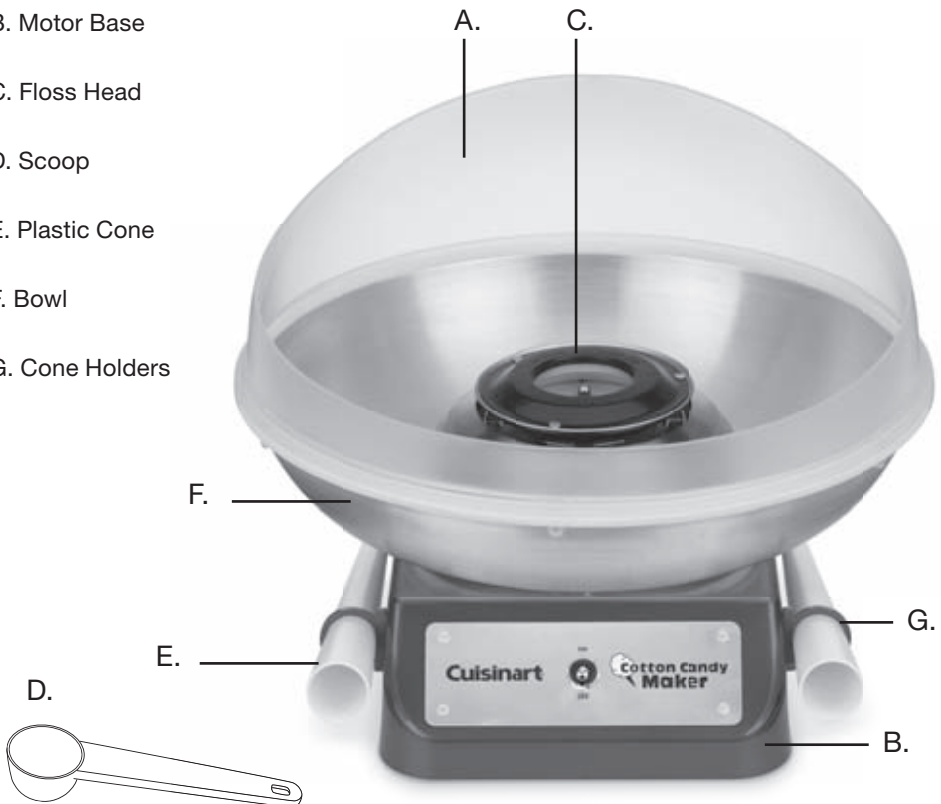
C. Floss Head

D. Scoop

E. Plastic Cone

F. Bowl

G. Cone Holders



MAKING A PAPER CONE



1. Place a standard sheet of 8½" x 11" paper on a flat surface.



2. Lay the plastic cone supplied with the unit on the 11" side of the paper and begin rolling the plastic cone until you reach the other side of the paper.



3. With the paper totally wrapped around the plastic cone, take a piece of tape and tape the loose paper edge down.
4. With your finger, push the small end of the plastic cone up until you can grab the large end of the plastic cone and pull until it is completely removed.



5. Finished paper cone.

BEFORE THE FIRST USE

Remove all packaging and any promotional labels or stickers from your Cotton Candy Maker. Be sure that all parts (listed in Parts and Features) of your new cotton candy maker have been included before discarding any packaging materials. You may want to keep the box and packing materials for use at a later date.

Before using your Cuisinart® Cotton Candy Maker for the first time, wipe housing with a damp cloth to remove any dust from the warehouse or shipping.

IMPORTANT NOTICE

When lifting cotton candy maker from table or countertop, do not use cone holders located on each side of unit. Cone holders are for storage only.

To lift safely, place one hand on each underside of the cotton candy maker and lift upward to release suction feet.

OPERATING INSTRUCTIONS

1. Set the fully assembled motor base on a stable and level surface.
2. Connect plug to a power source.
3. Make sure floss head is in position.
4. Switch the cotton candy maker to ON and preheat for 5 minutes.

NOTE: It is very important that you preheat the cotton candy maker for the full 5 minutes.

5. Switch OFF the cotton candy maker.
Add 1 scoop of sugar mixture into the floss head. **CAUTION:** Floss head will be extremely hot. Never touch floss head while unit is on. After use, allow floss head to cool for 30 minutes before touching or removing.
6. Turn unit to ON position.
7. Use plastic cone to roll the cotton candy up. Roll from right to left in a continuous motion. Do not touch the floss head as you roll, as the head is very hot and will cause floss to burn. Continue rolling, evenly distributing the cotton candy onto the cone.
8. Cotton candy may be made in consecutive batches. If unit is turned off for an extended time, it must be reheated for 5 minutes.
9. Do not use sugar cubes or liquid sugar when making cotton candy.

CLEANING AND MAINTENANCE

1. Make sure that the power is off and the appliance is not connected to a power source.
2. Allow the Cuisinart® Cotton Candy Maker to cool for a minimum of 30 minutes before disassembling and cleaning.
3. Remove the splash guard and bowl, and disassemble to wash separately.

NOTE: To remove splash guard from the bowl, carefully grasp the splash guard from the highest point and lift upward to release the locking latches.

4. Remove the floss head, wash with warm water.

Any other servicing should be performed by an authorized service representative.

RECIPES

Simple Cotton Candy

- 6 scoops pure cane sugar
(for a fuller cone of cotton candy,
we recommend using pure organic
cane sugar)**
- 1–2 drops red food coloring**
- 1–2 drops pure vanilla extract**

Mix sugar, food coloring and vanilla extract thoroughly before adding to the floss head. Use one scoop of mixture per batch.

NOTE: You may substitute the vanilla extract with your favorite extract flavoring.

Flavored Cotton Candy

- 1 scoop of your favorite flavor of
pre-sweetened drink mix**
- 5 scoops of pure cane sugar (for a fuller
cone of cotton candy, we recommend
using pure organic cane sugar)**

Mix sugar and drink mix thoroughly before adding to floss head. Use one scoop of mixture per batch.

Any of the following flavors of pre-sweetened drink mix can be mixed with pure cane sugar to make cotton candy. Flavors include: Cherry, Grape and Tropical Punch.

Hard-Candy Cotton Candy

Crush up your favorite hard candy in a food processor; add to floss head. Use one scoop of mixture per batch. Recommended hard candy:

NOTE: Do not use any hard candy containing dairy ingredients. Traditional cotton candy floss and paper cones can also be used with this unit and can be found online or your local party goods store.

TROUBLESHOOTING

Problems	Reasons	Solutions
Loud noise occurs when operating.	The bowl is not secured on the motor/heater housing, or the floss head is not secured to the motor base.	Reassemble or try to lock floss head tightly.
Cotton candy blowing unevenly in the bowl.	The machine is placed on an uneven surface.	Place the machine on a flat surface.

Limited Three-Year Warranty (U.S. and Canada ONLY)

This warranty is available to consumers only. You are a consumer if you own a Cuisinart® Cotton Candy Maker that was purchased at retail for personal, family or household use. Except as otherwise required under applicable law, this warranty is not available to retailers or other commercial purchasers or owners.

We warrant that your Cuisinart® Cotton Candy Maker will be free of defects in materials and workmanship under normal home use for 3 years from the date of original purchase. We recommend that you visit our website, www.cuisinart.com for a fast, efficient way to complete your product registration. However, product registration does not eliminate the need for the consumer to maintain the original proof of purchase in order to obtain the warranty benefits. In the event that you do not have proof of purchase date, the purchase date for purposes of this warranty will be the date of manufacture.

If your Cuisinart® Cotton Candy Maker should prove to be defective within the warranty period, we will repair it, or if we think necessary, replace it. To obtain warranty service, simply call our toll-free number 1-800-726-0190 for additional information from our Consumer Service Representatives, or send the defective product to Consumer Service at Cuisinart, 7475 North Glen Harbor Blvd., Glendale, AZ 85307.

To facilitate the speed and accuracy of your return, please enclose \$10.00 for shipping and handling of the product.

Please pay by check or money order made payable to Cuisinart (California residents need only supply proof of purchase and should call 1-800-726-0190 for shipping instructions).

NOTE: For added protection and secure handling of any Cuisinart product that is being returned, we recommend you use a traceable, insured delivery service. Cuisinart cannot be held responsible for in-transit damage or for packages that are not delivered to us. Lost and/or damaged products are not covered under warranty. Please be sure to include your return address, daytime phone number, description of the product defect, product model number (located on bottom of product), original date of purchase, and any other information pertinent to the product's return.

CALIFORNIA RESIDENTS ONLY:

California law provides that for In-Warranty Service, California residents have the option of returning a nonconforming product (A) to the store where it was purchased or (B) to another retail store that sells Cuisinart products of the same type.

The retail store shall then, at its discretion, either repair the product, refer the consumer to an independent repair facility, replace the product, or refund the purchase price less the amount directly attributable to the consumer's prior usage of the product. If the above two options do not result in the appropriate relief to the consumer, the consumer may then take the product to an independent repair facility if service or repair can be economically accomplished. Cuisinart and not the consumer will be responsible for the reasonable cost of such service, repair, replacement, or refund for nonconforming products under warranty.

California residents may also, according to their preference, return nonconforming products directly to Cuisinart for repair, or if necessary, replacement, by calling our Consumer Service Center toll-free at 1-800-726-0190. Cuisinart will be responsible for the cost of the repair, replacement, and shipping and handling for such products under warranty.

BEFORE RETURNING YOUR CUISINART PRODUCT

If you are experiencing problems with your Cuisinart product, we suggest that you call our Cuisinart Service Center at 1-800-726-0190 before returning the product for service. If servicing is needed, a Representative can confirm whether the product is under warranty and direct you to the nearest service location.

Your Cuisinart® Cotton Candy Maker has been manufactured to the strictest specifications and has been designed for use only in 120-volt outlets and only with authorized accessories and replacement parts. This warranty expressly excludes any defects or damages caused by attempted use of this unit with a converter, as well as by use with accessories, replacement parts or repair service other than those authorized by Cuisinart. This warranty does not cover any damage caused by accident, misuse, shipment or other than ordinary household use. This warranty excludes all incidental or consequential damages. Some states do not allow the exclusion or limitation of these damages, so these exclusions may not apply to you. You may also have other rights, which vary from state to state.

Important: If the nonconforming product is to be serviced by someone other than Cuisinart's Authorized Service Center, please remind the servicer to call our Consumer Service Center at 1-800-726-0190 to ensure that the problem is properly diagnosed, the product is serviced with the correct parts, and the product is still under warranty.

©2016 Cuisinart
150 Milford Road
East Windsor, NJ 08520
Printed in China

16CE017132

Trademarks or service marks of third parties used herein are
the trademarks or service marks of their respective owners.

F IB-14002-ESP

Todas las marcas registradas o marcas de comercio mencionadas aquí pertenecen a sus titulares respectivos.

F IB-14002-ESP

16CE017132

©2016 Cuisinart
150 Millford Road
East Windsor, NJ 08520
Impreso en China

Importante: si debe llevar el aparato defectuoso a un centro de servicio no autorizado, por favor informe al personal del centro de servicio que deberán llamar al servicio posventa de Cuisinart al 1-800-726-0190 a fin de diagnosticar el problema correctamente, usar las piezas correctas para repararlo y asegurarse de que el producto esté bajo garantía.

GARANTÍA LIMITADA DE TRES AÑOS (válida en los EE. UU. y en Canadá solamente)

Esta garantía es para los consumidores solamente. Usted es un consumidor si ha comprado su aparato Cuisinart® en una tienda, para uso personal o casero. A excepción de los estados donde la ley lo permita, esta garantía no es para los detallistas u otros comerciantes.

Cuisinart garantiza este aparato contra todo defecto de materiales o fabricación durante 3 años después de la fecha de compra original, siempre que el aparato haya sido utilizado para uso doméstico y según las instrucciones. Le aconsejamos que llene el formulario de registro disponible en www.cuisinart.com a fin de facilitar la verificación de la fecha de compra original. Sin embargo, no es necesario registrar el producto para recibir servicio bajo esta garantía. En ausencia del recibo de compra, el período de garantía será calculado a partir de la fecha de fabricación.

Si este aparato presentara algún defecto de materiales o fabricación durante el período de garantía, lo repararemos o reemplazaremos (a nuestra opción). Para obtener servicio bajo esta garantía, llame a nuestra línea directa gratuita al 1-800-726-0190 o regrese el aparato defectuoso a: Cuisinart, Service Department, 7475 North Glen Harbor Blvd., Glendale, AZ 85307. Regrese el aparato defectuoso, junto con su recibo de compra y un cheque o giro postal de US\$10.00 por gastos de manejo y envío.

Los residentes de California solo necesitan dar una prueba de compra y deben llamar al 1-800-726-0190 para recibir instrucciones de envío. **NOTA:** para mayor seguridad, le aconsejamos que mande su paquete por un método de entrega con seguro y seguimiento. Cuisinart no será responsable por los daños ocurridos durante el transporte o por los paquetes enviados a una dirección equivocada. Los productos perdidos y/o lastimados durante el envío no serán cubiertos bajo esta garantía. Recuerde incluir su nombre, dirección y teléfono, la descripción del problema, así como cualquier información pertinente.

RESIDENTES DE CALIFORNIA SOLAMENTE
La ley del estado de California ofrece dos opciones bajo el período de garantía. Los residentes del estado de California pueden (A) regresar el producto defectuoso a la tienda donde lo compraron o (B) a otra tienda que venda productos Cuisinart® de este tipo.

La tienda, a su opción, reparará el producto, referirá al consumidor a un centro de servicio independiente, cambiará el producto o le reembolsará al consumidor el precio original del producto, menos la cantidad imputable al uso del producto por el consumidor hasta que este se dañó. Si estas dos opciones no satisfacen al consumidor, podrá llevar el producto a un centro de servicio independiente, siempre que se pueda ajustar o reparar el producto de manera económica. Cuisinart será responsable por los gastos de servicio, reparación, reemplazo o reembolso de los productos defectuosos durante el período de garantía.

ANTES DE HACER REPARAR SU APARATO
Si su aparato tiene algún problema, le recomendamos que llame a nuestro servicio posventa al 1-800-726-0190 antes de regresar el aparato a Cuisinart. Un representante le confirmará si su aparato sigue bajo garantía y le indicará la dirección del centro de servicio más cercano.

Este aparato satisface las más altas exigencias de fabricación y ha sido diseñado para uso sobre corriente de 120V, usando accesorios y piezas de repuesto autorizados solamente. Esta garantía excluye expresamente los daños causados por accesorios, piezas o reparaciones no autorizadas por Cuisinart, así como los daños causados por el uso de un convertidor de voltaje. Esta garantía no cubre el uso institucional o comercial del producto, y no es válida en caso de daños causados por mal uso, negligencia o accidente. Esta garantía excluye expresamente todos los daños incidentales o consecuentes. Algunos Estados no permiten la exclusión o limitación de daños incidentales o consecuentes, de modo que las limitaciones mencionadas pueden no regir para usted. Usted puede tener otros derechos que varían de un Estado a otro.

Problema	Causas	Soluciones
La máquina hace mucho ruido durante el funcionamiento.	El bol no está debidamente instalado sobre la base, o el cabezal giratorio no está debidamente sujetado al árbol del motor.	Vuelva a ensamblar el bol y el cabezal giratorio.
El cabezal giratorio sopla el algodón de azúcar de manera desigual.	La máquina está desnivelada.	Coloque la máquina sobre una superficie plana.

RESOLUCIÓN DE PROBLEMAS

Cualquier mezcla para bebidas puede mezclarse con azúcar de caña puro para hacer algodón de azúcar. Los sabores incluyen: cereza, uva y frutas tropicales.

Mezclar el azúcar y la mezcla en polvo. Colocar la mezcla en el cabezal giratorio, una cucharada a la vez.

1 cucharada de su mezcla en polvo
5 cucharadas (60 g) de azúcar de caña puro (preferiblemente orgánico)
1 cucharada de su mezcla en polvo
1-2 gotas de extracto natural de vainilla
1-2 gotas de colorante alimentario rojo
6 cucharadas (75 g) de azúcar de caña puro (preferiblemente orgánico)

Algodón de azúcar

Mezclar el azúcar, el colorante y la vainilla. Colocar la mezcla en el cabezal giratorio, una cucharada a la vez.

NOTA: puede sustituir el extracto de vainilla por su extracto favorito.

Algodón de azúcar básico

Pulverizar sus caramelos duros favoritos en una procesadora de alimentos y colocar el polvo obtenido en el cabezal giratorio, una cucharada a la vez. Le aconsejamos que use los caramelos duros siguientes:

NOTA: no utilice caramelos duros que contengan productos lácteos. También puede usar conos de papel tradicionales (disponibles en línea o en las tiendas de productos para fiestas) para preparar los algodones de azúcar.

Algodón de azúcar de caramelos duros

RECETAS

ANTES DEL PRIMER USO

Retire el aparato del material de embalaje y quite las etiquetas promocionales pegadas en el cuerpo del aparato. Asegúrese de que todas las piezas descritas en la sección "Piezas y características" estén incluidas. Le aconsejamos que guarde el material de embalaje.

Antes de usar el aparato por primera vez, limpie el cuerpo con un paño humedecido para quitar el polvo acumulado durante el transporte.

AVISO IMPORTANTE

No agarre la unidad por los portaconos para moverla o alzarla. Los portaconos han sido diseñados para guardar los conos solamente.

Para mover el aparato de manera segura, coloque una mano debajo de cada lado de la máquina y álcela para despegar las ventosas.

INSTRUCCIONES DE OPERACIÓN

1. Coloque el aparato sobre una superficie plana y segura.

2. Conecte el cable a una toma de corriente.

3. Asegúrese de que el cabezal giratorio esté debidamente instalado.

4. Encienda (ON) el aparato y permita que se caliente por 5 minutos.

NOTA: es muy importante que la máquina se precaliente por los 5 minutos completos.

5. Apague (OFF) el aparato. Coloque una

PRECAUCIÓN: el cabezal giratorio se pone extremadamente caliente durante el uso.

Nunca toque el cabezal giratorio mientras el aparato está encendido. Después del uso, permita que el cabezal giratorio se enfríe por 30 minutos antes de tocarlo o retirarlo.

6. Encienda (ON) el aparato.

7. Forme el algodón de azúcar alrededor del cono de plástico. Mueva constantemente el cono de derecha a izquierda. No permita que el algodón de azúcar toque el cabezal giratorio; se quemaría. Siga moviendo y girando el cono para distribuir el algodón de azúcar uniformemente alrededor del cono.

LIMPIEZA Y MANTENIMIENTO

8. Para preparar más algodones de azúcar, añada más azúcar. Nota: si apaga el aparato durante un período prolongado, deberá precalentarlo otra vez por 5 minutos antes de volverlo a usar.

9. No utilice terrón de azúcar ni azúcar líquido para hacer algodón de azúcar.

1. Asegúrese de que el aparato esté apagado y desconectado.

2. Permita que el aparato se enfríe por 30 minutos o más antes de desarmarlo y de limpiarlo.

3. Retire el bol de la base y desarme la cubierta antispaladuras para lavar las piezas por separado.

NOTA: para retirar la cubierta antispaladuras, agarre esta desde su punto más alto y álcela para liberrar las abrazaderas.

4. Retire el cabezal giratorio y lávelo en agua jabonosa tibia.

Cualquier otro servicio debe ser realizado por un técnico autorizado.

CÓMO HACER UN CONO DE PAPEL

1. Colocar una hoja de papel de 8 1/2 x 11 pulgadas (21.5 cm x 28 cm) sobre una superficie plana.



2. Coloque el cono de plástico proporcionado del lado más largo del papel y enrolle el papel alrededor del cono hasta que llegue al otro lado.



3. Sujete el cono de papel con cinta adhesiva mientras sigue puesto alrededor del cono de plástico.
4. Empuje la punta del cono de plástico hacia arriba con su dedo hasta que pueda agarrar este por la parte ancha y retirarlo.



5. Termine el cono de papel.



ENSAMBLAJE

PASO 1

Instale la cubierta antisalpicaduras sobre el bol, asegurándose de que todas las abrazaderas estén firmemente insertadas en los orificios del bol.

PASO 2

Coloque el bol sobre la base. Presione el bol hacia abajo hasta que se encuentre contra la base, y luego gírelo en sentido horario para sujetarlo.

PASO 3

Instale el cabezal giratorio sobre la base, asegurándose de que el eje del bol esté perpendicular al árbol del motor.

PIEZAS Y CARACTERÍSTICAS

A. Cubierta antisalpicaduras

B. Base/Bloque-motor

C. Cabezal giratorio

D. Cuchara medidora

E. Cono de plástico

F. Bol

G. Portaconos



GUARDE ESTAS INSTRUCCIONES

PARA USO DOMÉSTICO SOLAMENTE

USO DE EXTENSIONES

El cable provisto con este aparato es corto, para reducir el peligro de que alguien se enganche o tropiece con un cable más largo. Puede usarse una extensión eléctrica con cuidado. La clasificación nominal de la extensión debe ser por lo menos igual a la del aparato. Es importante acomodar el cable más largo de manera que no cuelgue de la encimera/mesa donde puede ser jalado por niños o puede causar tropiezos. Si el cable del aparato está dotado de un enchufe con puesta a tierra, la extensión también debe serlo. Conecte el cable a una toma de corriente de 120V solamente; no utilice el aparato con un convertidor de voltaje.

INDICE

Medidas de seguridad importantes	2
Piezas y características	4
Ensamblaje	4
Cómo hacer un cono de papel	5
Antes del primer uso	6
Instrucciones de operación	6
Limpieza y mantenimiento	6
Recetas	7
Resolución de problemas	7
Garantía	8

MEDIDAS DE SEGURIDAD IMPORTANTES

Al usar aparatos eléctricos, siempre debe tomar precauciones básicas de seguridad, incluso las siguientes:

1. Lea todas las instrucciones antes de usarlo.
 2. Siempre desconecte el aparato cuando no esté en uso y antes de moverlo o limpiarlo.
 3. NO TOQUE las partes calientes de este aparato; utilice los mangos/ asas o las perillas.
 4. Evite el contacto con las piezas móviles.
 5. Para reducir el riesgo de electrocución, mantenga el cable y el enchufe alejados del agua.
 6. No utilice el aparato si el cable o la clavija estuvieran dañados.
 7. Mantenga el aparato y el cable alejados de superficies calientes.
 8. Para reducir el riesgo de electrocución, no sumerja el cable, la clavija o el bloque-motor en agua u otro líquido.
 9. Supervise el uso de este aparato o cerca de niños o personas con ciertas discapacidades.
 10. No toque el cabezal giratorio durante el funcionamiento.
 11. No lo utilice en exteriores.
 12. Siempre desconecte el aparato antes de ensamblarlo o de limpiarlo.
 13. Siempre apague (OFF) el aparato antes de desconectarlo.
 14. Coloque el aparato sobre una superficie plana; de no ser así, no funcionará debidamente.
 15. No utilice el aparato para ningún otro fin que no sea el indicado.
 16. No utilice este aparato si el cable o la clavija estuviesen dañados, después de que hubiese funcionado mal o que se
- hubiese caído o si estuviese dañado; regístralo a un centro de servicio autorizado para su revisión, reparación o ajuste.
- El uso de accesorios no recomendados por el fabricante presenta un riesgo de heridas.
17. No permita que el cable cuelgue del borde de la encimera o de la mesa, ni que haga contacto con superficies calientes.
 18. No coloque el aparato sobre o cerca de un quemador a gas o una hornilla eléctrica caliente, ni en un horno caliente.
 19. Tenga sumo cuidado al mover el aparato.
 20. NO descuide ni abandone el aparato mientras esté conectado o encendido.
 21. Cerciórese de que no haya objetos extraños dentro del cabezal giratorio antes de encender el aparato.
 22. El cabezal giratorio se pone extremadamente caliente durante el uso; no lo toque hasta que se haya enfriado.
 23. Mantenga las manos alejadas de la máquina cuando esté encendida (ON) y mientras el cabezal esté girando.
 24. Limpie todas las piezas removibles con una toalla húmeda con agua caliente antes del primer uso.
 25. El cable de este aparato está dotado de una clavija polarizada (una pata es más ancha que la otra). Como medida de seguridad, se podrá enchufar de una sola manera en la toma de corriente polarizada. Si no entrara en la toma de corriente, invértala. Si aun no entrara completamente, comuníquese con un electricista. No intente modificarla.
 26. No haga funcionar el aparato debajo o dentro de un armario/gabinete. **Siempre desconecte el aparato antes de guardarlo en un armario/gabinete.** Dejar el aparato conectado presenta un riesgo de incendio; especialmente si este toca las paredes o la puerta del armario/gabinete cuando se cierra.
 - 27.

Para su seguridad y para disfrutar plenamente de este producto, siempre lea cuidadosamente las instrucciones antes de usarlo.

Máquina para hacer algodón de azúcar
CCM-10



Cuisinart®
INSTRUCCIONES Y LIBRO DE RECETAS

Version no.: CCM10 IB-14002-ESP
 IB Size: 148mm(W) x 210mm(H)
 Die Cut: new
 Material: 105gsm both side artpaper for whole book
 Coating: gloss varnishing in cover
 Colors(Cover): 4C+1C(BLACK)
 (Inside): 1C+1C(BLACK)
 Date: FEB/25/2016 Co-ordinator: Astor You / Andy WS Chan
 Revise Ver: F CCM10 IB-14002-ESP (0.0) Operator: liao

 **宝发柯式印刷有限公司**

Tel: 0769-87720314 87886328 Fax: 0769-87720324
 E-MAIL: pofatprepress@pofat.com

